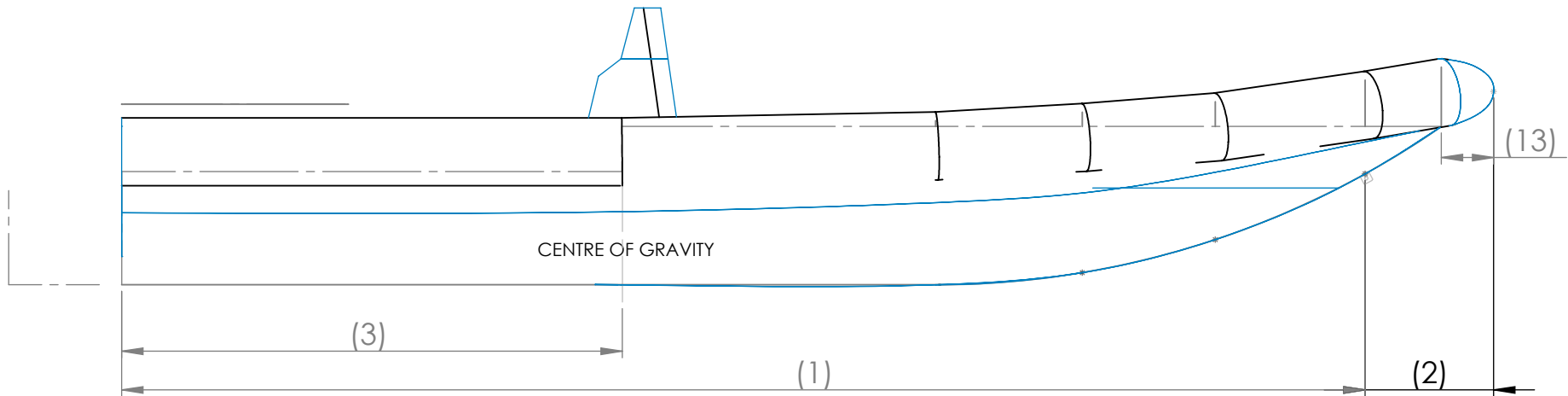


2

1

B

B



Boat Measurement Guide

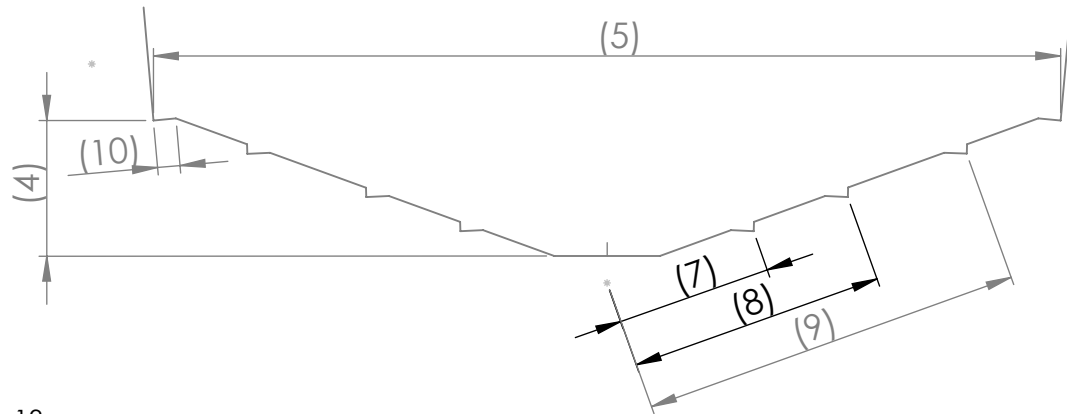
Remember the more accurate the measurements are, the better your trailer will fit!
 Measurements 1,2,3 and 4 are a must in order to start building your trailer.

BOAT MAKE: _____

BOAT MODEL: _____

MEASUREMENTS:

- | | | | |
|----------|----------|-----------|-----------|
| 1. _____ | 5. _____ | 9. _____ | 13. _____ |
| 2. _____ | 6. N/A | 10. _____ | |
| 3. _____ | 7. _____ | 11. _____ | |
| 4. _____ | 8. _____ | 12. _____ | |



A

A

COMPLETED BY: (NAME) _____ (DATE) _____

PROPRIETARY AND CONFIDENTIAL

THE INFORMATION CONTAINED IN THIS DRAWING IS THE SOLE PROPERTY OF DUNLEA PRODUCTS LTD. ANY REPRODUCTION IN PART OR AS A WHOLE WITHOUT THE WRITTEN PERMISSION OF DUNLEA TRAILERS IS PROHIBITED.

DUNLEA PRODUCTS LTD MUDGWAY TRAILERS

66 BEACH ROAD
 KAIKOURA 7300
 PH 03 319 5418
 FAX 03 319 5418
 EMAIL: dunlea@dunlea.co.nz

UNLESS OTHERWISE SPECIFIED:
 ALL DIMENSIONS ARE IN mm
 DO NOT SCALE DRAWING

	NAME	DATE	CUSTOMER:
DRAWN	S.EALAM		
CHECKED			DWG. NO.
ENG APPR.			BOAT MEASUREMENT GUIDE MONO HULL TYPE
MFG APPR.			SCALE: 1:1
Q.A.			SHEET 1 OF 1

2

1